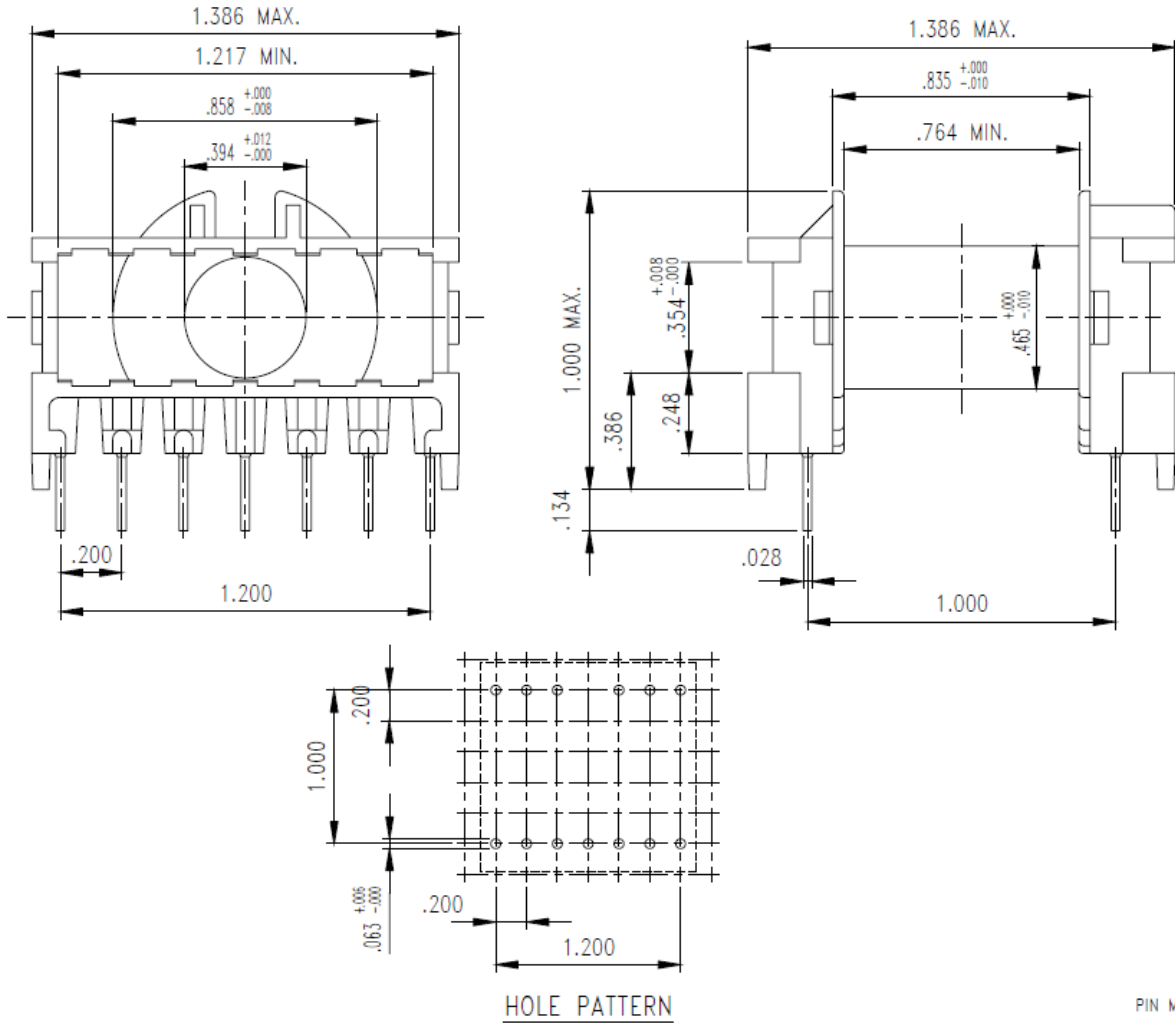




Specification for:  
**PCB2929B1**

110 Delta Drive  
Pittsburgh, PA 15238  
Phone: 412/696-1333  
Fax: 412/696-0333  
Email:magnetics@spang.com



**MATERIAL**

Material: Valox 420SE0 (PBT) Glass Reinforced

UL File No: E45329 (R) – UL94V-0

Pin Material: CuSn – Ni Flash, Sn Plated

**REMARKS**

Revision -

Revision 10/10/2013

