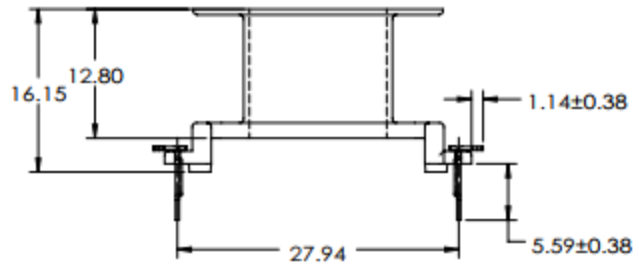
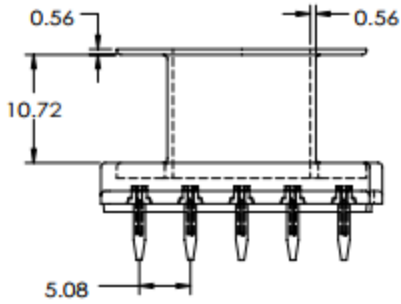
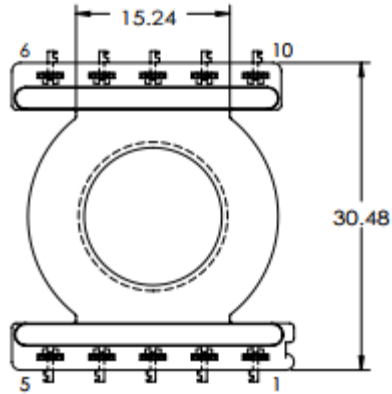
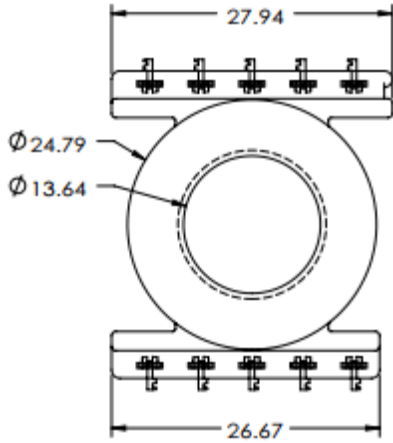




Specification for:
PCB3019TA

110 Delta Drive
Pittsburgh, PA 15238
Phone: 412/696-1333
Fax: 412/696-0333
Email:magnetics@spang.com



MATERIAL

Material: Dupont Rynite FR530 Black UL# E41938

REMARKS