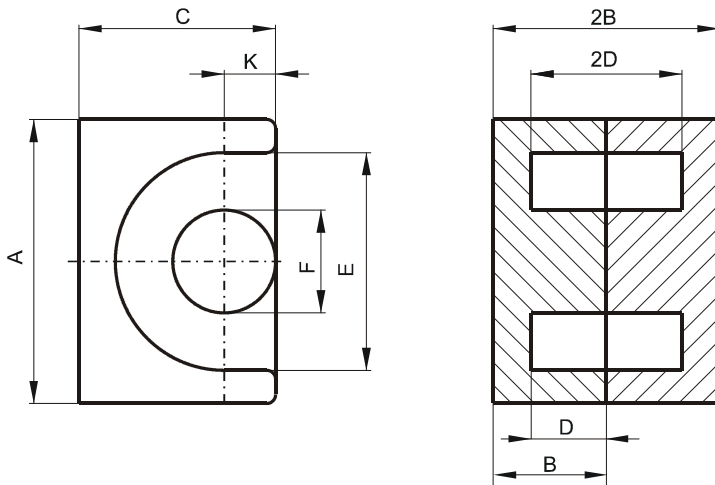


DIMENSIONS



(mm)	Nominal:	Tol. min.:	Tol. max.:
A	9.2	-0.2	+ 0.2
B	3.7	-0.05	+ 0.05
2B	7.4	-0.1	+ 0.1
C	6.35	-0.15	+ 0.15
D	2.5 Min.		
2D	5.0 Min.		
E	7.2 Min.		
F	3.4 Max.		
K	1.7	-0.1	+ 0.1
Eff. Parameters			
Ae mm²	Amin mm²	le mm	Ve mm³
10.7	8.55	15.5	165

INDUCTANCE

MARKING

AL value (nH/T ²)	Test conditions	No marking
Nom: 1173 Min.: 880	10 kHz, < 0.5 mT, 25 °C	

CORE LOSSES

P _i max	Test conditions
121 mW/cm ³ (0.02 W/set)	100 kHz, 100 mT, 100 °C

NOTE

Spec. modifications	Previous	Revised
2005-06-22	Losses: General P material	Losses: Detail as indicated