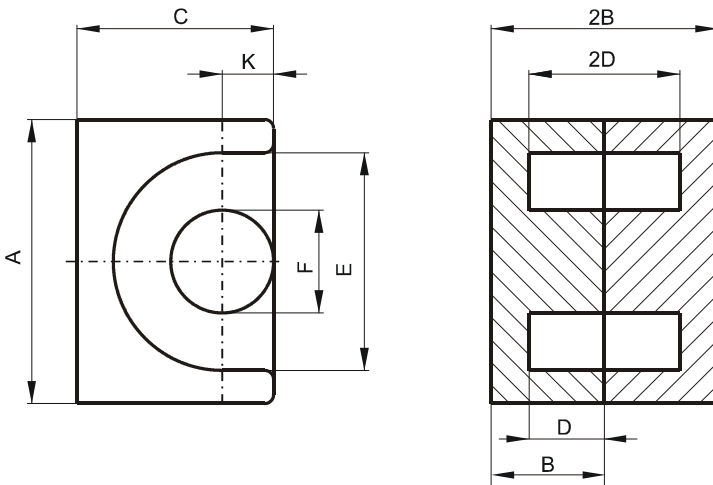


DIMENSIONS



(mm)	Nominal:	Tol. min.:	Tol. max.:
A	11.5	-0.3	+ 0.3
B	5.15	-0.1	+ 0.1
2B	10.3	-0.2	+ 0.2
C	7.6	-0.2	+ 0.2
D	3.6 Min.		
2D	7.2 Min.		
E	9.2 Min.		
F	3.45 Max.		
K	1.85	-0.1	+ 0.1
Eff. Parameters			
Ae mm²	Amin mm²	le mm	Ve mm³
11.3	8.55	19.3	215

INDUCTANCE

MARKING

AL value (nH/T ²)	Test conditions	No marking
Nom: 1133 Min.: 850	10 kHz, < 0.5 mT, 25 °C	

CORE LOSSES

P _i max	Test conditions
115 mW/cm ³ (0.025 W/set)	100 kHz, 100 mT, 100 °C

NOTE

Spec. modifications	Previous	Revised
2005-06-22	B=5.23 Max. 2B=10.46 Max. C=7.44 Min. Losses: General P material	B=5.25 Max. 2B=10.5 Max. C=7.4 Min. Losses: Detail as indicated