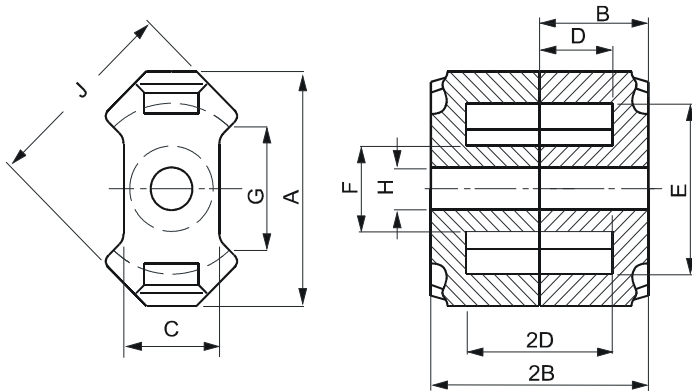


Specification for:

## RJ41510UG

110 Delta Drive  
Pittsburgh, PA 15238  
Phone: 412/696-1333  
Fax: 412/696-0333  
Email: magnetics@spang.com

### DIMENSIONS



| (mm)               | Nominal:             | Tol. min.: | Tol. max.:         |
|--------------------|----------------------|------------|--------------------|
| <b>A</b>           | 14.9 Max.            |            |                    |
| <b>B</b>           | 5.2                  | -0.05      | + 0.05             |
| <b>2B</b>          | 10.4                 | -0.1       | + 0.1              |
| <b>C</b>           | 6.6 Nom.             |            |                    |
| <b>D</b>           | 3.25                 | -0.1       | + 0.1              |
| <b>2D</b>          | 6.5                  | -0.2       | + 0.2              |
| <b>E</b>           | 10.4                 | -0.2       | + 0.2              |
| <b>F</b>           | 4.8                  | -0.1       | + 0.1              |
| <b>G</b>           | 6.71 Nom.            |            |                    |
| <b>H</b>           | 2.05                 | -0.05      | + 0.05             |
| <b>J</b>           | 12.05                | -0.25      | + 0.25             |
| Eff. Parameters    |                      |            |                    |
| Ae mm <sup>2</sup> | Amin mm <sup>2</sup> | le mm      | Ve mm <sup>3</sup> |
| 21.0               | 13.9                 | 21.4       | 449                |

### INDUCTANCE

| AL value (nH)           | Test conditions         |
|-------------------------|-------------------------|
| Nom: 4133<br>Min.: 3100 | 10 kHz, < 0.5 mT, 25 °C |

### MARKING

|            |
|------------|
| No marking |
|------------|

### LOSS FACTOR

| $\tan \delta / \mu$ ( $\times 10^{-6}$ ) | Test conditions           |
|--|---------------------------|
| < 15                                     | 100 kHz, < 0.25 mT, 25 °C |

### NOTE

| Spec. modifications | Previous                                   | Revised  |
|---------------------|--|--|
| 2005-06-16          | Loss factor: General J material<br>Marking | Loss factor: Detail as indicated<br>No Marking |