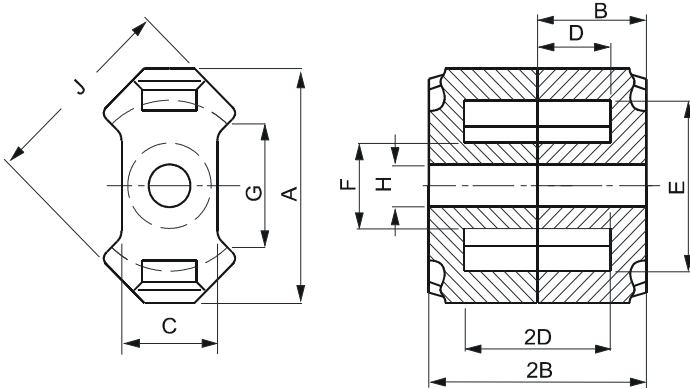


Specification for:

RP41110UG

110 Delta Drive
Pittsburgh, PA 15238
Phone: 412/696-1333
Fax: 412/696-0333
Email: magnetics@spang.com

DIMENSIONS



(mm)	Nominal:	Tol. min.:	Tol. max.:
A	11.8 Max.		
B	5.2	-0.05	+ 0.5
2B	10.4	-0.1	+ 0.1
C	4.45 Nom.		
D	3.61	-0.1	+ 0.1
2D	7.21	-0.2	+ 0.2
E	8.15	-0.2	+ 0.2
F	3.8	-0.1	+ 0.1
G	5.79 Ref.		
H	2.05	-0.05	+ 0.05
J	9.6	-0.2	+ 0.2
Eff. Parameters			
Ae mm²	Amin mm²	le mm	Ve mm³
10.8	7.9	20.6	222

INDUCTANCE

AL value (nH)	Test conditions
Nom: 1000 Min.: 750	10 kHz, < 0.5 mT, 25 °C

MARKING

No marking

CORE LOSSES

P _i max	Test conditions
126 mW/cm ³ (0.028 W/set)	100 kHz, 100 mT, 100 °C

NOTE

Spec. modifications	Previous	Revised
2005-06-22	Losses: General P material Marking	Losses: Detail as indicated No marking