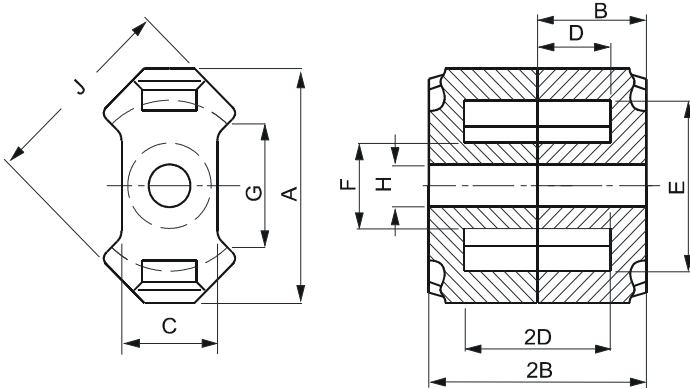


Specification for:

RP41510UG

110 Delta Drive
Pittsburgh, PA 15238
Phone: 412/696-1333
Fax: 412/696-0333
Email: magnetics@spang.com

DIMENSIONS



(mm)	Nominal:	Tol. min.:	Tol. max.:
A	14.9 Max.		
B	5.2	-0.05	+ 0.05
2B	10.4	-0.1	+ 0.1
C	6.6 Nom.		
D	3.25	-0.1	+ 0.1
2D	6.5	-0.2	+ 0.2
E	10.4	-0.2	+ 0.2
F	4.8	-0.1	+ 0.1
G	6.71 Nom.		
H	2.05	-0.05	+ 0.05
J	12.05	-0.25	+ 0.25
Eff. Parameters			
Ae mm ²	Amin mm ²	le mm	Ve mm ³
21.0	13.9	21.4	449

INDUCTANCE

AL value (nH)	Test conditions
Nom: 1867 Min.: 1400	10 kHz, < 0.5 mT, 25 °C

MARKING

No marking

CORE LOSSES

P _i max	Test conditions
125 mW/cm ³ (0.056 W/set)	100 kHz, 100 mT, 100 °C

NOTE

Spec. modifications	Previous	Revised
2005-06-22	Losses: General P material Marking	Losses: Detail as indicated No marking