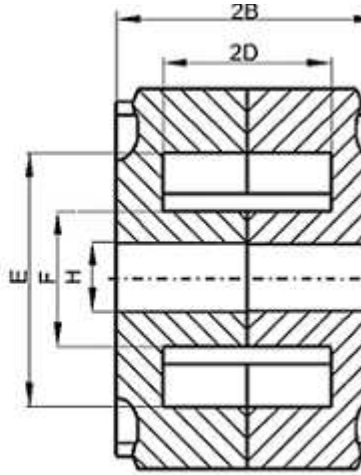
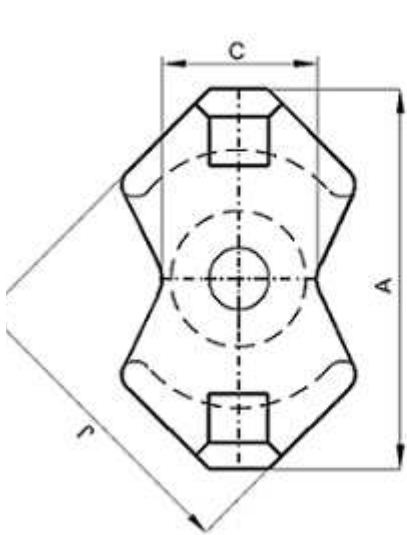


Specification for:

RP42316UG

110 Delta Drive
Pittsburgh, PA 15238
Phone: 412/696-1333
Fax: 412/696-0333
Email: magnetics@spang.com

DIMENSIONS



| (mm) | Nominal: | Tol. min.: | Tol. max.: |
|--------------------------|----------------------------|--------------|--------------------------|
| A | 23.2 MAX | | |
| B | 8.2 | -0.05 | + 0.05 |
| 2B | 16.4 | -0.1 | + 0.1 |
| C | 10.8 | | |
| D | 5.53 | -0.13 | + 0.13 |
| 2D | 11.05 | -0.25 | + 0.25 |
| E | 17.35 | -0.35 | + 0.35 |
| F | 8.4 | -0.15 | + 0.15 |
| G | 11.7 NOM | | |
| H | 4.5 | -0.1 | + 0.1 |
| J | 19.3 | -0.4 | + 0.4 |
| Eff. Parameters | | | |
| Ae mm² | Amin mm² | le mm | Ve mm³ |
| 52.0 | 36.9 | 35.5 | 1850 |

INDUCTANCE

| AL value (nH) | Test conditions |
|-------------------------|-------------------------|
| Nom: 2560 Min.: 1920 | 10 kHz, < 0.5 mT, 25 °C |

MARKING

| |
|---------|
| P UG |
|---------|

CORE LOSSES

| P _i max | Test conditions |
|---------------------------------------|-------------------------|
| 110 mW/cm ³ (0.2035 W/set) | 100 kHz, 100 mT, 100 °C |

NOTE

| Spec. modifications | Previous | Revised |
|---------------------|----------------------------|-----------------------------|
| 2005-06-22 | LOSSES: GENERAL P MATERIAL | LOSSES: DETAIL AS INDICATED |