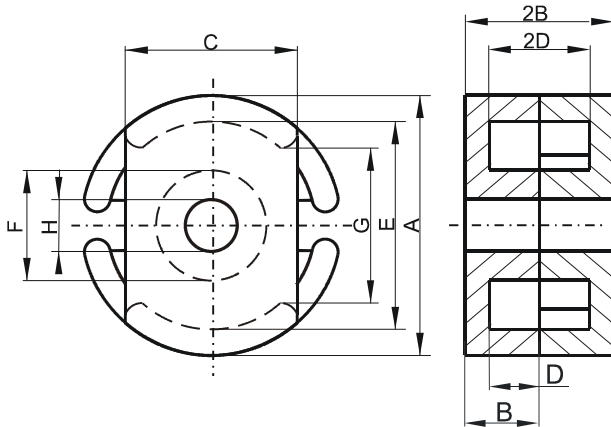


DIMENSIONS



(mm)	Nominal:	Tol. min.:	Tol. max.:
A	14.0	-0.25	+ 0.25
B	4.24	-0.13	0.0
2B	8.48	-0.26	0.0
C	9.4	-0.15	+ 0.15
D	2.8 Min.		
2D	5.58 Min.		
E	11.6 Min.		
F	5.99 Max.		
G	7.6 Min.		
H	3.1	-0.08	+ 0.08
Eff. Parameters			
Ae mm²	Amin mm²	le mm	Ve mm³
23.0	19.2	20.2	460

INDUCTANCE

MARKING

AL value (nH/T²)	Test conditions	No marking
1858 ± 25%	10 kHz, < 0.5 mT, 25 °C	

LOSS FACTOR

tan δ/μ	Test conditions
< 6 · 10 ⁻⁶	100 kHz, < 0.25 mT, 25 °C
α_F	Test conditions
1.0 · 10 ⁻⁶ to 8.0 · 10 ⁻⁶	-30 °C to -10 °C
0 · 10 ⁻⁶ to 5.0 · 10 ⁻⁶	-10 °C to 20 °C
-2.0 · 10 ⁻⁶ to 1.0 · 10 ⁻⁶	20 °C to 40 °C
-2.0 · 10 ⁻⁶ to 1.0 · 10 ⁻⁶	40 °C to 70 °C