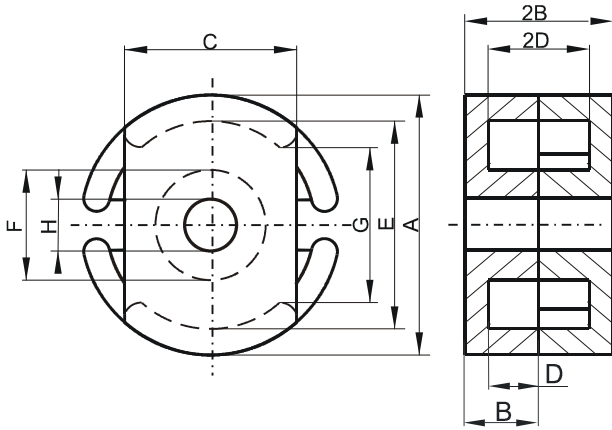


Specification for:

**SF41811UG**

110 Delta Drive  
Pittsburgh, PA 15238  
Phone: 412/696-1333  
Fax: 412/696-0333  
Email: magnetics@spang.com

**DIMENSIONS**



(mm)	Nominal:	Tol. min.:	Tol. max.:
<b>A</b>	18.0	-0.4	+ 0.4
<b>B</b>	5.3	-0.13	+ 0.13
<b>2B</b>	10.6	-0.15	+ 0.15
<b>C</b>	11.9	-0.2	+ 0.2
<b>D</b>	3.7	-0.1	+ 0.1
<b>2D</b>	7.4	-0.2	+ 0.2
<b>E</b>	15.15	-0.25	+ 0.25
<b>F</b>	7.45	-0.15	+ 0.15
<b>G</b>	11.2 Min.		
<b>H</b>	3.1	-0.1	+ 0.1
Eff. Parameters			
<b>Ae mm<sup>2</sup></b>	<b>Amin mm<sup>2</sup></b>	<b>le mm</b>	<b>Ve mm<sup>3</sup></b>
40.6	32.9	27.2	1110

**INDUCTANCE**

AL value (nH)	Test conditions
3498 ± 25%	10 kHz, < 0.5 mT, 25 °C

**MARKING**

F UG
---------

**CORE LOSSES**

P <sub>i</sub> max	Test conditions
207 mW/cm <sup>3</sup> (0.23 W/set)	25 kHz, 200 mT, 100 °C