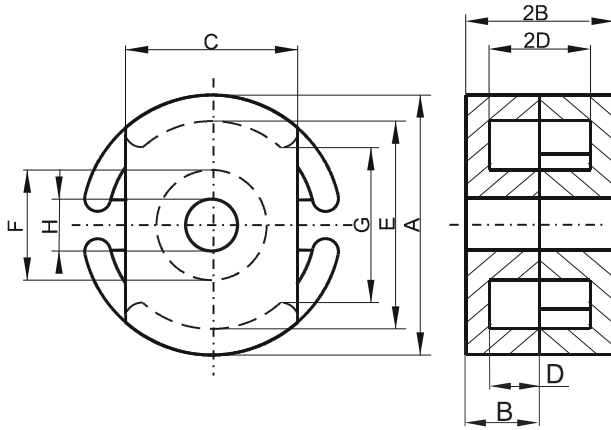


**DIMENSIONS**



(mm)	Nominal:	Tol. min.:	Tol. max.:
<b>A</b>	14.0	-0.25	+ 0.25
<b>B</b>	4.24	-0.13	0.0
<b>2B</b>	8.48	-0.28	0.0
<b>C</b>	9.4	-0.15	+ 0.15
<b>D</b>	2.8 Min.		
<b>2D</b>	5.58 Min.		
<b>E</b>	11.6 Min.		
<b>F</b>	5.99 Max.		
<b>G</b>	7.6 Min.		
<b>H</b>	3.1	-0.08	+ 0.08
Eff. Parameters			
<b>Ae mm<sup>2</sup></b>	<b>Amin mm<sup>2</sup></b>	<b>le mm</b>	<b>Ve mm<sup>3</sup></b>
23.0	19.2	20.2	460

**INDUCTANCE**

AL value (nH)	Test conditions
Nom: 4500 Min.: 3375	10 kHz, < 0.5 mT, 25 °C

**MARKING**

No marking
------------

**LOSS FACTOR**

$\tan \delta/\mu$ ( $\times 10^{-6}$ )	Test conditions
< 20	100 kHz, < 0.25 mT, 25 °C

**NOTE**

Spec. modifications	Previous	Revised
2005-06-22	A=13.79 Min. G=7.62 Min. Loss factor: General J material	A=13.75 Min. G=7.6 Min. Loss factor: Detail as indicated