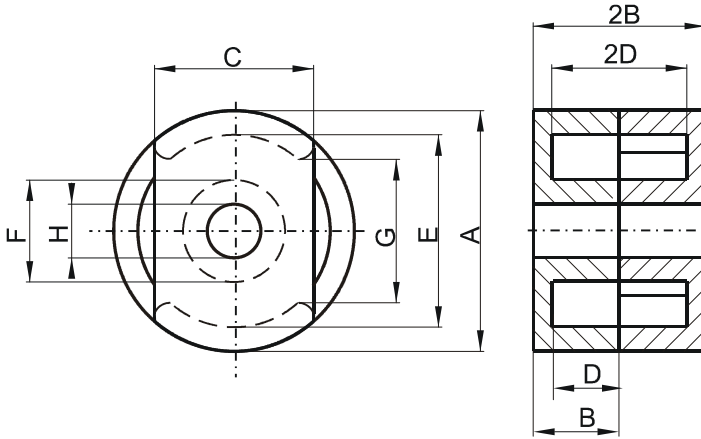


Specification for:

SJ42311UG

110 Delta Drive
Pittsburgh, PA 15238
Phone: 412/696-1333
Fax: 412/696-0333
Email: magnetics@spang.com

DIMENSIONS



(mm)	Nominal:	Tol. min.:	Tol. max.:
A	22.9	-0.45	+ 0.45
B	5.5	-0.13	+ 0.13
2B	11.0	-0.25	+ 0.25
C	15.2	-0.25	+ 0.25
D	3.75	-0.13	+ 0.13
2D	7.5	-0.25	+ 0.25
E	18.3	-0.35	+ 0.35
F	9.7	-0.2	+ 0.2
G	13.2 Min.		
H	5.1	-0.1	+ 0.1
Eff. Parameters			
Ae mm ²	Amin mm ²	le mm	Ve mm ³
61.0	53.6	28.6	1740

INDUCTANCE

AL value (nH)	Test conditions
Nom: 7875 Min.: 6300	10 kHz, < 0.5 mT, 25 °C

MARKING

No marking

LOSS FACTOR

$\tan \delta/\mu$ ($\times 10^{-6}$)	Test conditions
< 20	100 kHz, < 0.25 mT, 25 °C

NOTE

Spec. modifications	Previous	Revised
2005-06-22	A=23.32 Max. B=5.41 Min. 2B=10.82 Min. C=14.99 Min. H=5.08±0.1 Losses: General J material Marking	A=23.35 Max. B=5.37 Min. 2B=10.75 Min. C=14.95 Min. H=5.1±0.1 Losses: Detail as indicated No marking