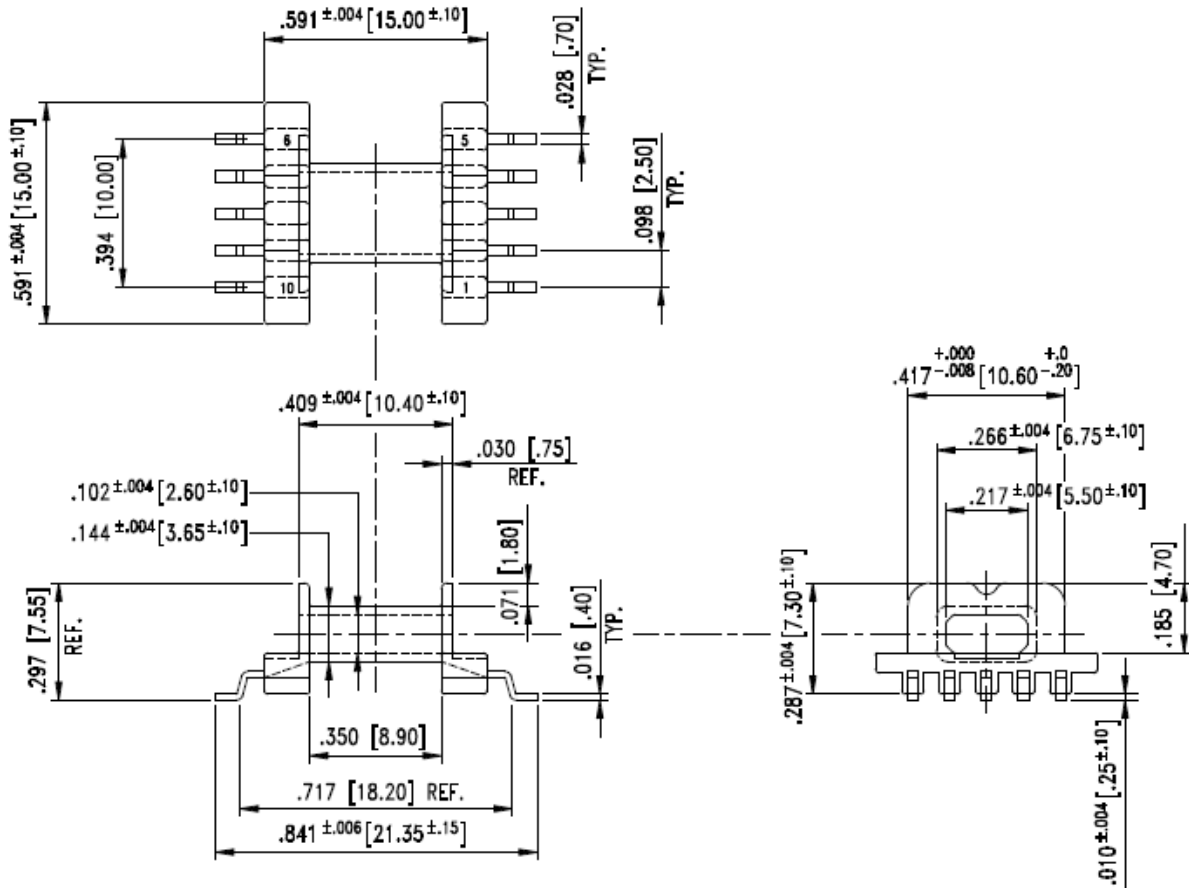




Specification for:  
**SMB1515TA**

110 Delta Drive  
Pittsburgh, PA 15238  
Phone: 412/696-1333  
Fax: 412/696-0333  
Email:magnetics@spang.com



**MATERIAL**

Bobbin Material: LCP E-4008; UL 94-V0

Pin Material: NICKEL BRONZE

**REMARKS**

EFD-15 SM BOBBIN

Revision D

Revision 10/10/2013