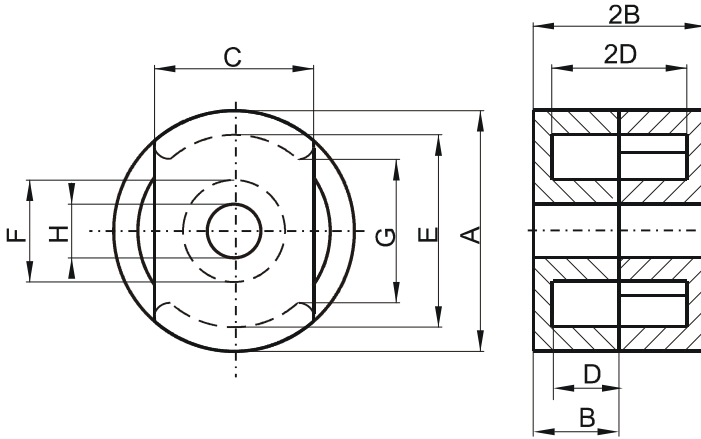


Specification for:

SP42311UG

110 Delta Drive
Pittsburgh, PA 15238
Phone: 412/696-1333
Fax: 412/696-0333
Email: magnetics@spang.com

DIMENSIONS



(mm)	Nominal:	Tol. min.:	Tol. max.:
A	22.9	-0.45	+ 0.45
B	5.5	-0.13	+ 0.13
2B	11.0	-0.25	+ 0.25
C	15.2	-0.25	+ 0.25
D	3.75	-0.13	+ 0.13
2D	7.5	-0.25	+ 0.25
E	18.3	-0.35	+ 0.35
F	9.7	-0.2	+ 0.2
G	13.2 Min.		
H	5.1	-0.1	+ 0.1
Eff. Parameters			
Ae mm²	Amin mm²	le mm	Ve mm³
61.0	53.6	28.6	1740

INDUCTANCE

AL value (nH)	Test conditions
Nom: 4013 Min.: 3210	10 kHz, < 0.5 mT, 25 °C

MARKING

P UG

CORE LOSSES

P _i max	Test conditions
101 mW/cm ³ (0.17 W/set)	100 kHz, 100 mT, 100 °C

NOTE

Spec. modifications	Previous	Revised
2005-06-22	A=23.32 Max. B=5.41 Min. 2B=10.82 Min. C=14.99 Min. H=5.08±0.1 Losses: General P material	A=23.35 Max. B=5.37 Min. 2B=10.75 Min. C=14.95 Min. H=5.1±0.1 Losses: Detail as indicated