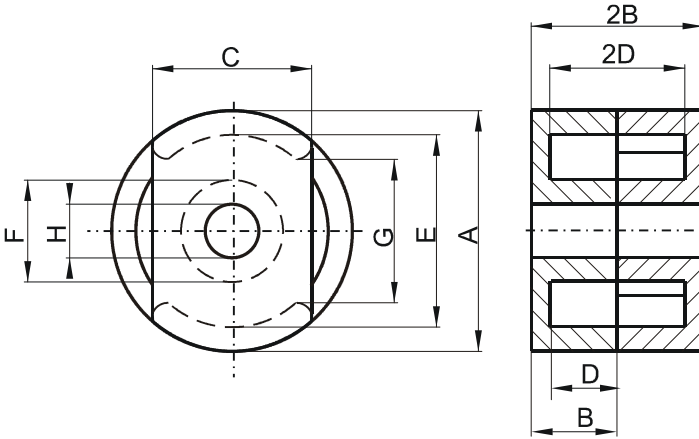


Specification for:

## SP42318UG

110 Delta Drive  
Pittsburgh, PA 15238  
Phone: 412/696-1333  
Fax: 412/696-0333  
Email: magnetics@spang.com

### DIMENSIONS



(mm)	Nominal:	Tol. min.:	Tol. max.:
<b>A</b>	22.9	-0.45	+ 0.45
<b>B</b>	9.0	-0.18	+ 0.18
<b>2B</b>	18.0	-0.35	+ 0.35
<b>C</b>	15.25	-0.25	+ 0.25
<b>D</b>	7.2	-0.18	+ 0.18
<b>2D</b>	14.4	-0.35	+ 0.35
<b>E</b>	18.3	-0.35	+ 0.35
<b>F</b>	9.7	-0.2	+ 0.2
<b>G</b>	13.2 Min.		
<b>H</b>	5.1	-0.1	+ 0.1
Eff. Parameters			
<b>Ae mm<sup>2</sup></b>	<b>Amin mm<sup>2</sup></b>	<b>le mm</b>	<b>Ve mm<sup>3</sup></b>
62.2	53.6	41.6	2590

### INDUCTANCE

AL value (nH)	Test conditions
Nom: 3333 Min.: 2500	10 kHz, < 0.5 mT, 25 °C

### MARKING

P UG
---------

### CORE LOSSES

P <sub>i</sub> max	Test conditions
112 mW/cm <sup>3</sup> (0.29 W/set)	100 kHz, 100 mT, 100 °C

### NOTE

Spec. modifications	Previous	Revised
2005-06-22	A=23.32 Max. B=8.84 Min. 2B=17.68 Min. H=5.08±0.1 Losses: General P material	A=23.35 Max. B=8.82 Min. 2B=17.65 Min. H=5.1±0.1 Losses: Detail as indicated