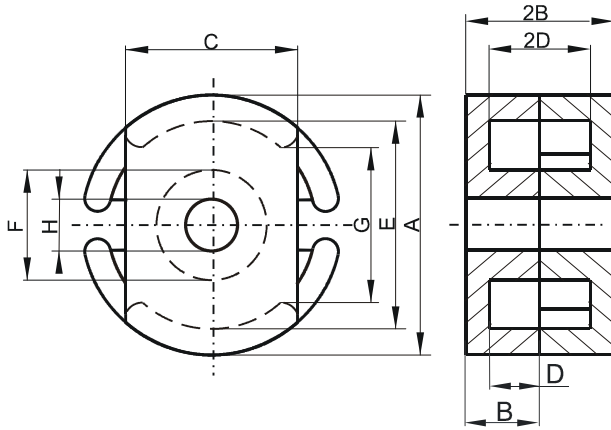


Specification for:

SR41408UG

110 Delta Drive
Pittsburgh, PA 15238
Phone: 412/696-1333
Fax: 412/696-0333
Email: magnetics@spang.com

DIMENSIONS



(mm)	Nominal:	Tol. min.:	Tol. max.:
A	14.0	-0.25	+ 0.25
B	4.24	-0.13	0.0
2B	8.48	-0.26	0.0
C	9.4	-0.15	+ 0.15
D	2.8 Min.		
2D	5.58 Min.		
E	11.6 Min.		
F	5.99 Max.		
G	7.6 Min.		
H	3.1	-0.08	+ 0.08
Eff. Parameters			
Ae mm²	Amin mm²	le mm	Ve mm³
23.0	19.2	20.2	460

INDUCTANCE

AL value (nH)	Test conditions
Nom: 1760 Min.: 1320	10 kHz, < 0.5 mT, 25 °C

MARKING

No marking

CORE LOSSES

P _i max	Test conditions
96 mW/cm ³ (0.044 W/set)	100 kHz, 100 mT, 100 °C
500 mW/cm ³ (0.23 W/set)	100 kHz, 200 mT, 100 °C

NOTE

Spec. modifications	Previous	Revised
2005-06-22	A=13.79 Min. G=7.62 Min. Losses: General R material	A=13.75 Min. G=7.6 Min. Losses: Detail as indicated