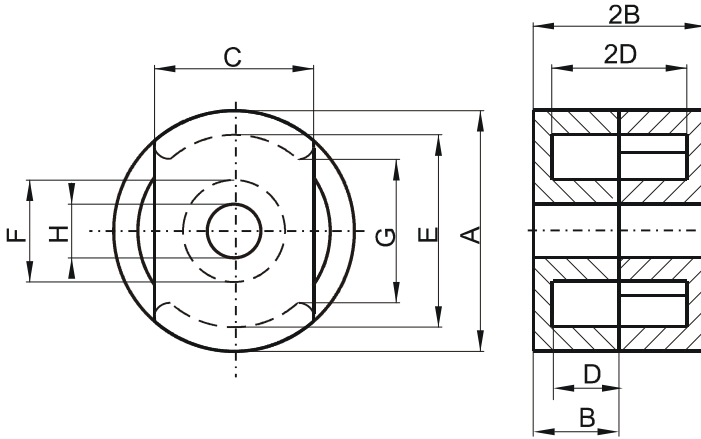


**DIMENSIONS**



(mm)	Nominal:	Tol. min.:	Tol. max.:
<b>A</b>	22.9	-0.45	+ 0.45
<b>B</b>	5.5	-0.13	+ 0.13
<b>2B</b>	11.0	-0.25	+ 0.25
<b>C</b>	15.2	-0.25	+ 0.25
<b>D</b>	3.75	-0.13	+ 0.13
<b>2D</b>	7.5	-0.25	+ 0.25
<b>E</b>	18.3	-0.35	+ 0.35
<b>F</b>	9.7	-0.2	+ 0.2
<b>G</b>	13.2 Min.		
<b>H</b>	5.1	-0.1	+ 0.1
Eff. Parameters			
<b>Ae mm<sup>2</sup></b>	<b>Amin mm<sup>2</sup></b>	<b>le mm</b>	<b>Ve mm<sup>3</sup></b>
61.0	53.6	28.6	1740

**INDUCTANCE**

AL value (nH)	Test conditions
Nom: 3687 Min.: 2950	10 kHz, < 0.5 mT, 25 °C

**MARKING**

R UG
---------

**CORE LOSSES**

P <sub>i</sub> max	Test conditions
98 mW/cm <sup>3</sup> (0.17 W/set)	100 kHz, 100 mT, 100 °C
575 mW/cm <sup>3</sup> (1.0 W/set)	100 kHz, 200 mT, 100 °C

**NOTE**

Spec. modifications	Previous	Revised
2005-06-22	A=23.32 Max. B=5.41 Min. 2B=10.82 Min. C=14.99 Min. H=5.08±0.1 Losses: General R material	A=23.35 Max. B=5.37 Min. 2B=10.75 Min. C=14.95 Min. H=5.1±0.1 Losses: Detail as indicated