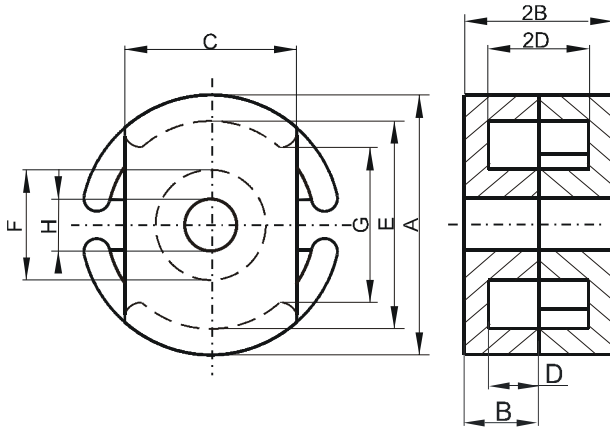


**DIMENSIONS**



(mm)	Nominal:	Tol. min.:	Tol. max.:
<b>A</b>	30.0	-0.51	+ 0.51
<b>B</b>	9.4	-0.1	+ 0.1
<b>2B</b>	18.8	-0.2	+ 0.2
<b>C</b>	20.32	-0.25	+ 0.25
<b>D</b>	6.5 Min.		
<b>2D</b>	13.0 Min.		
<b>E</b>	25.0 Min.		
<b>F</b>	13.51 Max.		
<b>G</b>	15.49 Min.		
<b>Eff. Parameters</b>			
<b>Ae mm<sup>2</sup></b>	<b>Amin mm<sup>2</sup></b>	<b>le mm</b>	<b>Ve mm<sup>3</sup></b>
123.0	96.0	45.6	5610

**INDUCTANCE**

AL value (nH/T <sup>2</sup> )	Test conditions
5335 ± 25%	10 kHz, < 0.5 mT, 25 °C

**MARKING**

No marking

**LOSS FACTOR**

$\tan \delta/\mu$ ( $\times 10^{-6}$ )	Test conditions
< 6	100 kHz, < 0.25 mT, 25 °C
$\alpha_F$ ( $\times 10^{-6}$ )	Test conditions
-0.7 to 0.7	20 °C to 40 °C
-0.7 to 0.7	40 °C to 70 °C