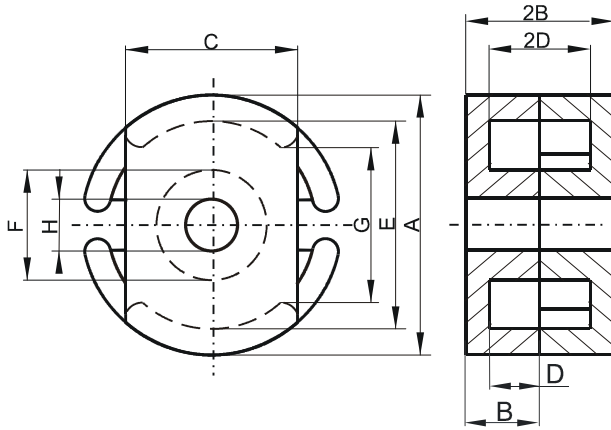


DIMENSIONS



(mm)	Nominal:	Tol. min.:	Tol. max.:
A	14.0	-0.25	+ 0.25
B	4.24	-0.13	0.0
2B	8.48	-0.28	0.0
C	9.4	-0.15	+ 0.15
D	2.8 Min.		
2D	5.58 Min.		
E	11.6 Min.		
F	5.99 Max.		
G	7.6 Min.		
H	3.1	-0.08	+ 0.08
Eff. Parameters			
Ae mm²	Amin mm²	le mm	Ve mm³
23.0	19.2	20.2	460

INDUCTANCE

AL value (nH)	Test conditions
Nom: 7643 Min.: 5350	10 kHz, < 0.5 mT, 25 °C

MARKING

No marking

LOSS FACTOR

$\tan \delta/\mu$ ($\times 10^{-6}$)	Test conditions
< 3.5	10 kHz, < 0.25 mT, 25 °C
< 50	100 kHz, < 0.25 mT, 25 °C

NOTE

Spec. modifications	Previous	Revised
2005-06-22	A=13.79 Min. G=7.62 Min. Loss factor: General W material	A=13.75 Min. G=7.6 Min. Loss factor: Detail as indicated