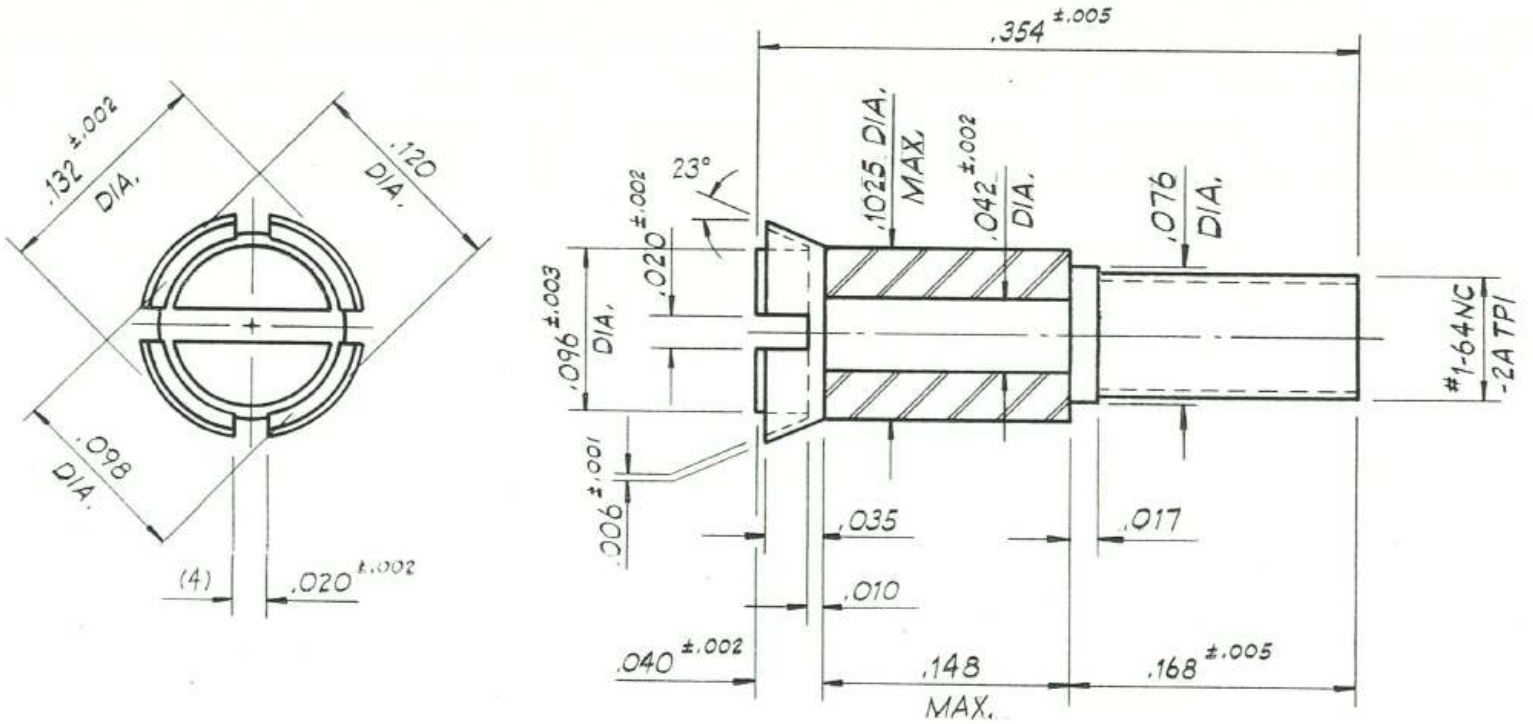




Specification for:
TCA1811B1

110 Delta Drive
 Pittsburgh, PA 15238
 Phone: 412/696-1333
 Fax: 412/696-0333
 Email: magnetics@spang.com



MATERIAL

Material: Delrin; Color Yellow

REMARKS

Revision -