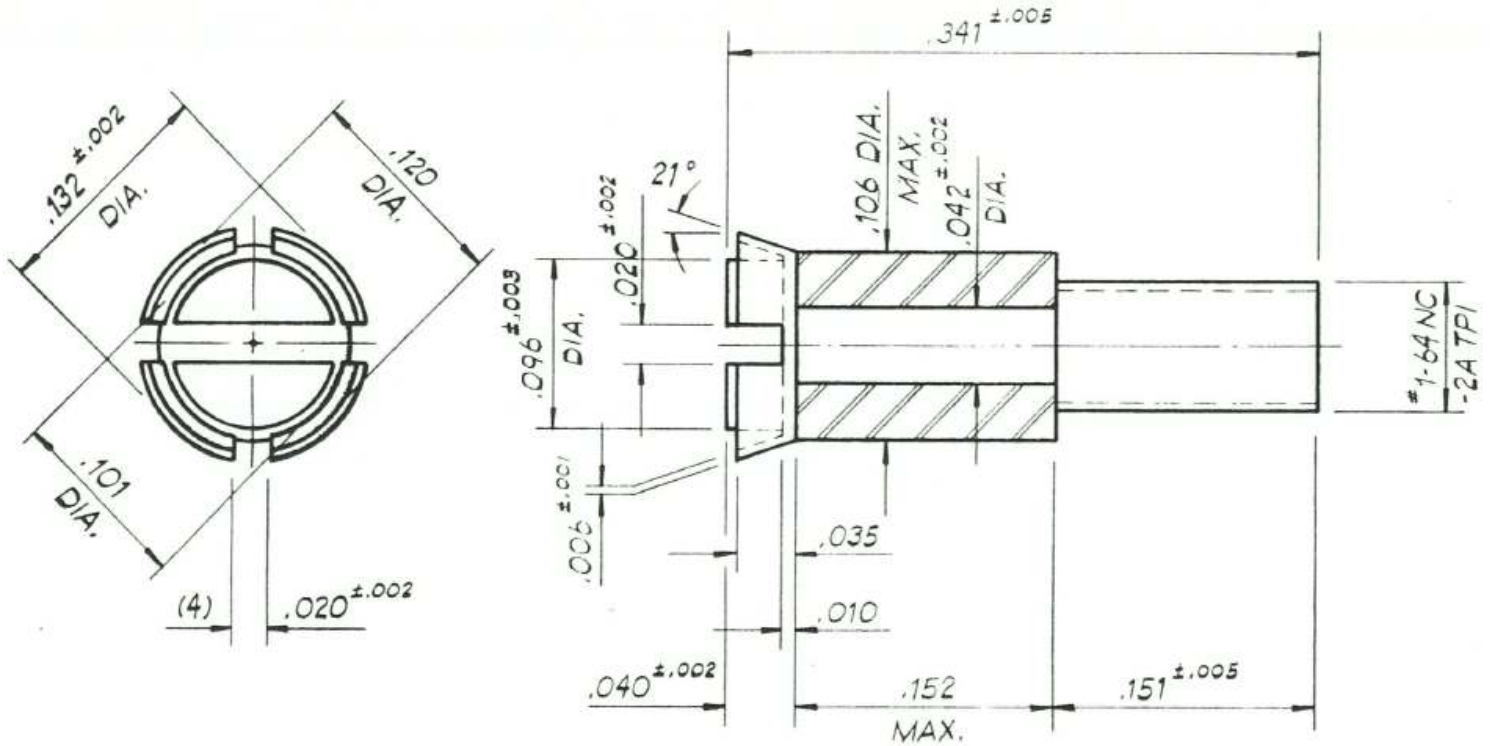




Specification for:  
**TCF4000B1**

110 Delta Drive  
Pittsburgh, PA 15238  
Phone: 412/696-1333  
Fax: 412/696-0333  
Email: magnetics@spang.com



**MATERIAL**

Material: Molded Polypropylene

**REMARKS**

Revision -